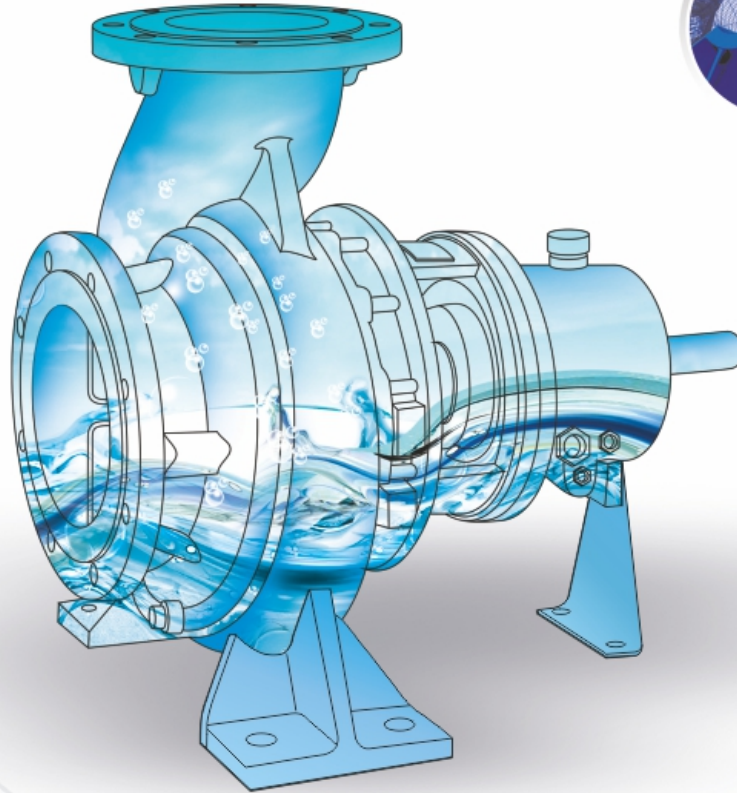




EITC Internationals



Quality



Skill



Spirit

JCPP SERIES

SINGLE STAGE, END SUCTION
BACK PULL OUT TYPE
CENTRIFUGAL PROCESS PUMPS



Operating Data:

Capacity	: Up to 2200 M ³ /hr
Head	: Up to 150 Mtr.
Discharge Size	: 25 mm to 300 mm
Temperature	: 350°C
Speed	: Up to 3500 rpm
Pressure	: Up to 15 kg/cm ²
M.O.C.	: C.I, C.S., SS-304 / 304L, SS316 / 316L, Bronze, Alloy-20, CD4MCU Hast alloy B & C, etc...

Applications:

- ✓ Hot and cold water circulation, cooling water circulation.
- ✓ Drip irrigation, water supply and building services.
- ✓ Thermic fluid, jet dyeing, volatile fluids.
- ✓ Condensate handling, fire fighting system, environmental.
- ✓ Engineering, marine, refrigeration and cooling tower installation etc...
- ✓ Chemicals, petrochemicals, refineries, sugar, paper, laminates. Industries, rubber, handling of hydrocarbons, organic and inorganic chemicals, condensate, d.m. water, food industries, salt, textiles Industries, power stations and industries such as pulp, fertilizer, etc...
- ✓ Corrosive and abrasive process chemicals like acids, alkalis, solvents, slurries, hydrocarbons, crystallizing liquids, nitric, ammonia, phosphate, chemical effluents, etc...

JCP SERIES

END SUCTION, HORIZONTAL,
CENTRIFUGAL COUPLED PUMPS
WITH SEMI OPEN IMPELLER



Operating Data:

Capacity	: Up to 40 M ³ /hr
Head	: Up to 48 Mtr.
Discharge Size	: 25 mm to 50 mm
Temperature	: 250° C
Speed	: Up to 3500 rpm
Pressure	: Up to 4.8 kg/cm ²
M.O.C.	: C.I, C.S., SS-304 / 304L, SS316 / 316L, Bronze, Alloy-20, CD4MCU Hast alloy B & C, etc...

Applications:

- ✓ Organic/Inorganic chemicals, volatile liquids, corrosive chemicals, caustic process, effluent, filter press, slurry application.
- ✓ Pharmaceutical, dyes, textiles, kerosene, diesel and other solvents.
- ✓ ETP, STP & waste water treatment plant, fertilizers, cement and steel industries.
- ✓ For pumping chemicals, with solids in suspension polluted liquids.
- ✓ Widely used for public and civil engineering.
- ✓ Paper and pulp industries.



JPOP SERIES

SINGLE STAGE, END SUCTION
BACK PULL OUT TYPE
CENTRIFUGAL PROCESS PUMPS
PULP & PAPER MILL
INDUSTRIES PUMPS



Operating Data:

Capacity	: Up to 640 M ³ /hr
Head	: Up to 55 Mtr.
Discharge Size	: 25 mm to 200 mm
Temperature	: Up to 250°C
Speed	: Up to 1500 rpm
Pressure	: Up to 5.5 kg/cm ²
Impellers	: Open & Semi Open type
Consistency	: Up to 7%
M.O.C.	: C.I, C.S., SS-304 / 304L, SS316 / 316L, Bronze, Alloy-20, CD4MCU Hast alloy B & C, etc...

Applications:

- ✓ Chest pump
- ✓ Refiners pump
- ✓ Fan pump
- ✓ Centri cleaner pump
- ✓ Back water pump
- ✓ Separator pump
- ✓ Couch pit pump
- ✓ Turbo feed pump etc...

JIC SERIES

CENTRIFUGAL PROCESS
PUMPS IN INVESTMENT
CASTING



Operating Data:

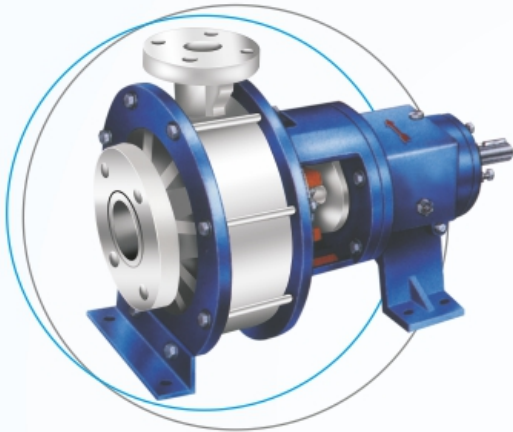
Capacity	: Up to 350 M ³ / hr
Head	: Up to 150 Mtr.
Discharge Size	: 25 mm to 100 mm
Temperature	: 250°C
Speed	: Up to 3500 rpm
Pressure	: 15 kg/cm ²
M.O.C.	: C.I, C.S., SS-304 / 304L, SS316 / 316L, Bronze, Alloy-20, CD4MCU Hast alloy B & C, etc...

Applications:

- ✓ Paper and pulp industries.
- ✓ Food, Sugar, Salt Industries.
- ✓ Organic / Inorganic chemicals, volatile liquids, corrosive chemicals, caustic process, effluent, filter press, slurry application.
- ✓ Pharmaceutical, dyes, textiles, kerosene, diesel and other solvents.
- ✓ ETP, STP & waste water treatment plant, fertilizers, cement and steel industries.
- ✓ For pumping chemicals, with solids in suspension polluted liquids.
- ✓ Widely used for public and civil engineering.
- ✓ Hot and Cold water.

JPP SERIES

CORROSIN RESISTANT
POLYPROPYLENE
CENTRIFUGAL PUMPS



Operating Data:

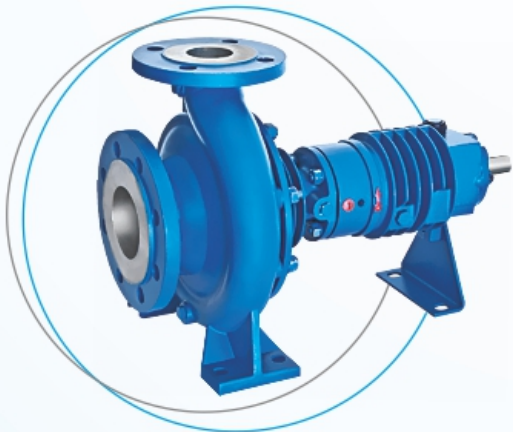
Capacity	: Up to 50 m ³ / hr
Head	: Up to 45 Mtr.
Discharge Size	: 25 mm to 50 mm
Temperature	: 80°C
Speed	: Up to 3500 rpm
Pressure	: Up to 4.5 kg/cm ²
M.O.C.	: PP, UHMWPE

Applications:

- ✓ Water treatment plant, effluent treatment plant, electro plating, pickling & steel rolling mills.
- ✓ Excellent for transfer and loading – unloading like HCL, Sulphuric Acid/Alkali, Caustic Liquid.
- ✓ Scrubbing of corrosive gases like NH₃, CO₂, SO₂, SO₃, I₂, F₂, Br₂, Cl₂, etc.
- ✓ For handling liquids in various industries like textile, paper, cellulose, sugar, steel, food, having temperature range, materials, etc....
- ✓ Ideal for circulation of chemical in metal finishing industry.
- ✓ Natural choice for pickling line & scrubber in steel plants.
- ✓ High capacity transfer pump, filter press for dyes & chemicals, descaling, oil & Other fuels.

JTFP SERIES

CENTRIFUGAL AIR COOLED
HOT OIL PUMPS



Operating Data:

Capacity	: Up to 180 m ³ / hr
Head	: Up to 80 Mtr.
Discharge Size	: 32 mm to 80 mm
Temperature	: Up to 350°C
Pressure	: Up to 8 kg/cm ²
Speed	: Up to 3500 rpm
Cooling Method	: With Air
M.O.C.	: Grey Cast Iron, Cast Steel, Alloy Cast Steel

Design Future:

Horizontal, single stage, single suction volute type, air-cooled centrifugal pumps with closed impeller, pump shaft is supported by two heavy duty ball bearings, heat resistant mechanical seal, suction flange is on the front and axial, discharge flange is at top and radial.

The below fields the pump are also proper in machinery manufacturing, food processing medicine making and the circulation system for oil supplying of the hot oil boiler, the circulation system for the heating installation.

Scope of Applications:

- ✓ Petro-chemical industries.
- ✓ Oil Industries.
- ✓ Synthetic – fibre Industries.
- ✓ Textile, dyeing, printing industries.
- ✓ Plastic and rubber industries.
- ✓ Paper making industries.
- ✓ Timber processing industries.
- ✓ Sugar Industries.
- ✓ Food Industries.
- ✓ Construction Industries.



JPPL SERIES

CORROSION RESISTANT
POLYPROPYLENE
CENTRIFUGAL PUMPS



Operating Data:

Capacity	: Up to 300 m ³ / hr
Head	: Up to 65 Mtr.
Discharge Size	: 50 mm to 100 mm
Temperature	: Up to 80°C
Speed	: Up to 3500 rpm
Pressure	: Up to 6.5 kg/cm ²
M.O.C.	: PP, UHMWPE

Applications:

- ✓ Water treatment plant, effluent treatment plant, electro plating, pickling & steel rolling mills.
- ✓ Excellent for transfer and loading – unloading like HCL, Sulphuric Acid/Alkali, Caustic Liquid.
- ✓ Scrubbing of corrosive gases like NH₃, CO₂, SO₃, SO₂, I₂, F₂, Br₂, Cl₂, etc.
- ✓ For handling liquids in various industries like textile, paper, cellulose, sugar, steel, food, having temperature range, materials, etc....
- ✓ Ideal for circulation of chemical in metal finishing industry.
- ✓ Natural choice for pickling line & scrubber in steel plants.
- ✓ High capacity transfer pump, filter press for dyes & chemicals, descaling, oil & Other fuels.

JVPP SERIES

VERTICAL SEAL / GLAND
LESS PUMPS



Operating Data:

Capacity	: Up to 50 m ³ /hr
Head	: Up to 45 Mtr.
Discharge Size	: 25 mm to 50 mm
Temperature	: 80°C
Speed	: Up to 3500 rpm
Pressure	: Up to 4.5 kg/cm ²
M.O.C.	: PP, UHMWPE

Advantage:

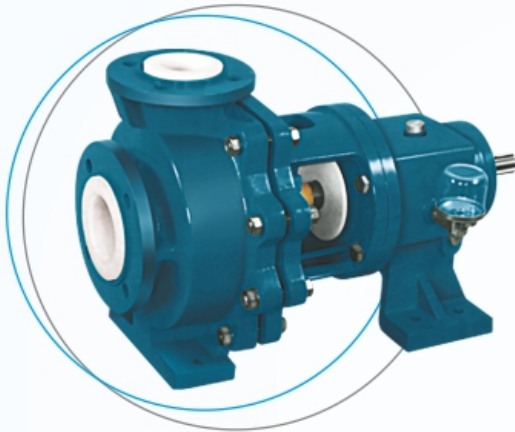
- ✓ No. 1 choice for effluent treatment plants since there are no mechanical seals / glands.
- ✓ Can run dry due to absence of shaft seals.
- ✓ Few parts facilities maintenance.

Applications:

- ✓ Water treatment plant, effluent treatment plant, electro plating, pickling & steel rolling mills.
- ✓ Excellent for transfer and loading – unloading like HCL, Sulphuric Acid/Alkali, Caustic Liquid.
- ✓ Scrubbing of corrosive gases like NH₃, CO₂, SO₃, SO₂, I₂, F₂, Br₂, Cl₂, etc.
- ✓ For handling liquids in various industries like textile, paper, cellulose, sugar, steel, food, having temperature range, materials, etc....
- ✓ Ideal for circulation of chemical in metal finishing industry.
- ✓ Natural choice for pickling line & scrubber in steel plants.
- ✓ High capacity transfer pump, filter press for dyes & chemicals, descaling & oil.

JPF SERIES

PVDF CENTRIFUGAL
PROCESS PUMPS



Operating Data:

Capacity	: Up to 250 m ³ /hr
Head	: Up to 90 Mtr.
Discharge Size	: 25 mm to 100 mm
Temperature	: Max. 120°C
Speed	: Up to 3500 rpm
Pressure	: Up to 9 kg/cm ²
M.O.C.	: PVDF

Applications:

- ✓ Water treatment plant, effluent treatment plant, electro plating, picking & steel rolling mills.
- ✓ Excellent for transfer and loading – unloading like HCL, Sulphuric Acid/Alkali, Caustic liquid.
- ✓ Scrubbing of corrosive gases like NH₃, CO₂, SO₃, SO₂, L₂, F₂, BR₂, CL₂, etc...
- ✓ For handling liquids in various industries like textile, paper, cellulose, sugar, steel, food, having temperature range, materials, etc...
- ✓ Ideal for circulation of chemical in metal finishing industry.
- ✓ Natural choice for picking line & scrubber in steel plants.
- ✓ High capacity transfer pump, filter press for dyes & chemicals, descaling oil & other fuels.
- ✓ Pesticide / Insecticide Plants, Chlorine Plants.
- ✓ Pharmaceutical and bulk Drug Plants.

JSCP SERIES

HORIZONTALLY AXIALLY
SPLIT CASING PUMPS



Operating Data:

Capacity	: Up to 5000 m ³ /hr
Head	: Up to 140 Mtr.
Discharge Size	: 50 mm to 500 mm
Temperature	: Up to 100°C
Pressure	: Up to 14 kg/cm ²
Speed	: Up to 1800 rpm
M.O.C.	: C.I, C.S., SS-304 / 304L, SS316 / 316L, Bronze, Alloy-20, CD4MCU Hast alloy B & C, etc...

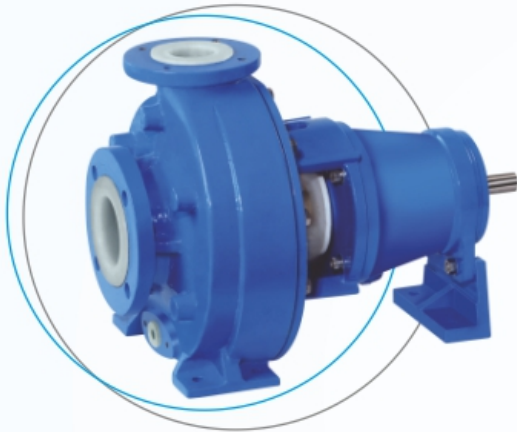
Applications:

- ✓ Suitable for Fire – Fighting.
- ✓ Primary & Secondary HVAC Application.
- ✓ High Pressure Boosting System.
- ✓ Dewatering in Mines.
- ✓ Cooling Tower.
- ✓ Recirculation.
- ✓ Industrial utility water Application.
- ✓ Desalination.
- ✓ Water Supply.
- ✓ Paper Plant.
- ✓ Petroleum Refineries.
- ✓ Sugar & Steel Plant.
- ✓ Power Plant.
- ✓ Air Conditioning & Refrigeration Systems.
- ✓ Irrigation.



JTF SERIES

TEFLON LINED
CENTRIFUGAL PROCESS PUMPS



Operating Data:

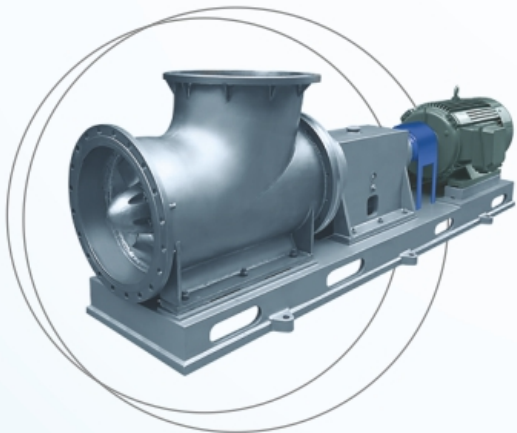
Capacity	: Up to 250 m ³ /hr
Head	: Up to 90 Mtr.
Discharge Size	: 25 mm to 100 mm
Temperature	: Max. 200°C
Speed	: Up to 3500 rpm
Pressure	: Up to 9 kg/cm ²
M.O.C.	: PFA / FEP

Applications:

- ✓ Water treatment plant, effluent treatment plant, electro plating, pickling & steel rolling mills.
- ✓ Excellent for transfer and loading – unloading like HCL, Sulphuric Acid/Alkali, Caustic liquid.
- ✓ Scrubbing of corrosive gases like NH₃, CO₂, SO₃, SO₂, L₂, F₂, BR₂, CL₂, etc...
- ✓ For handling liquids in various industries like textile, paper, cellulose, sugar, steel, food, having temperature range, materials, etc...
- ✓ Ideal for circulation of chemical in metal finishing industry.
- ✓ Natural choice for pickling line & scrubber in steel plants.
- ✓ High capacity transfer pump, filter press for dyes & chemicals, descaling oil & other fuels.
- ✓ Pesticide / & Insecticide Plants, Chlorine Plants.
- ✓ Pharmaceutical and bulk Drug Plants.

JAFP SERIES

AXIAL FLOW PUMPS /
PROPELLER PUMPS



Operating Data:

Capacity	: Up to 6500 m ³ / hr
Head	: Up to 9 Mtr.
Discharge Size	: 150 mm to 600 mm
Temperature	: Up to 150°C
Speed	: Up to 2880 rpm
M.O.C.	: C.I, C.S., SS-304 / 304L, SS316 / 316L, Bronze, Alloy-20, CD4MCU Hast alloy B & C, etc...

Applications:

- ✓ Evaporator and crystallizer Circulation for Chemical.
- ✓ Phosphate, Soda Ash, Potash and sodium, chiroide processing for mining and minerals.
- ✓ Polypropylene reactors, Xylene for Petroleum.
- ✓ Sewage Digesters for Govt Sector.
- ✓ Raw Water pumping, Flood Control, Marine Ballast Transfer for General use.
- ✓ Beet, cane, corn, Sugar Evaporators for flood industries.

JMP SERIES

SINGLE STAGE HORIZONTAL,
NON-CLOG SELF PRIMING,
MUD/SEWAGE PUMPS



Operating Data:

Capacity	: Up to 640 m ³ / hr
Head	: Up to 55 Mtr.
Suc. Head	: Up to 5 Mtr.
Discharge Size	: 40 mm to 200 mm
Solid Size	: Up to 50 mm
Temperature	: Up to 110°C
Speed	: Up to 3500 rpm
Pressure	: Up to 5.5 kg/cm ²
M.O.C.	: C.I., C.S., SS-304 / 304L, SS316 / 316L, Bronze, Alloy-20, CD4MCU, Hast alloy B & C, etc...

Applications:

- ✓ Dewatering, mud, marine, effluent, hotel, loading & transfer of oils, spirits, swimming pools, gas oils, engine cooling.
- ✓ Vessels, industrial-pumping petroleum products, chemical.
- ✓ Civil construction-dewatering foundations, trenches and pits.
- ✓ Filter press feeding, ETP, STP, waste water treatment plant.
- ✓ Mobile machinery – cooling water for marine engines and shovels.
- ✓ Public utilities – sewage pumping.
- ✓ Pier, excavations, pits, pot-holes etc., gram panchayats, municipalitie public health departments, large housing colonies, industries like chemical, pharmaceuticals, food, cement, paper, sugar, salt, steel an other for liquid cargo from freighter, barges.

JMSP SERIES

SINGLE STAGE HORIZONTAL,
NON-CLOG SELF PRIMING,
MUD/SEWAGE PUMPS
(MECHANICAL SEAL TYPE)



Operating Data:

capacity	: Up to 75 m ³ / hr
Head	: Up to 58 Mtr.
Suc. Head	: Up to 7 Mtr.
Discharge Size	: 32 mm to 80 mm
Solid Size	: Up to 25 mm
Temperature	: Up to 110°C
Speed	: Up to 3500 rpm
Pressure	: Up to 5.8 kg/cm ²
M.O.C.	: C.I., C.S., SS-304 / 304L, SS316 / 316L, Bronze, Alloy-20, CD4MCU, Hast alloy B & C, etc...

Mechanical Seal Option:

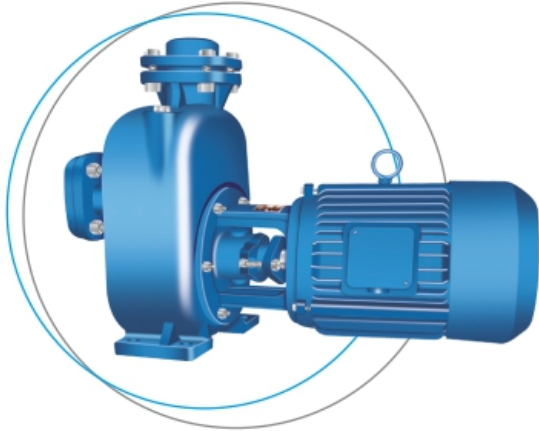
- ✓ STV (Carbon Vs Ceramic / Tc with NBR Elastomer)
- ✓ CCV (Carbon Vs Ceramic / Tc with Viton Elastomer)
- ✓ CCT (carbon Vs Ceramic / Tc with PTFE Elastomer)

Applications:

- ✓ Dewatering, mud, marine, effluent, hotel, oils, spirits, swimming pools, gas oils.
- ✓ Vessels, industrial-pumping petroleum products, chemical.
- ✓ Civil construction-dewatering foundations, trenches and pits, Public utilities.
- ✓ Filter press feeding, ETP, STP, waste water treatment plant, sewage pumping.
- ✓ Mobile machinery – cooling water for marine engines and shovels.
- ✓ Pier, excavations, pits, pot-holes etc., gram panchayats, municipalitie public health departments, large housing colonies, industries like chemical, pharmaceuticals, food, cement, paper, sugar, salt, steel an other for liquid cargo from freighter, barges.

JMP-M SERIES

SINGLE STAGE HORIZONTAL,
NON-CLOG SELF PRIMING,
MUD/SEWAGE MONOBLOCK PUMPS



Operating Data:

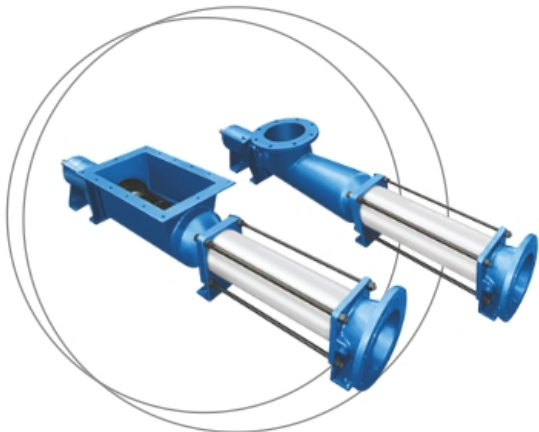
capacity	: Up to 75 m ³ / hr
Head	: Up to 48 Mtr.
Suc. Head	: Up to 5 Mtr.
Discharge Size	: 40 mm to 80 mm
Solid Size	: Up to 25 mm
Temperature	: Up to 110°C
Speed	: Up to 3500 rpm
Pressure	: Up to 4.8 kg/cm ²
M.O.C.	: C.I., C.S., SS-304 / 304L, SS316 / 316L, Bronze, Alloy-20, CD4MCU, Hast alloy B & C, etc...
Voltage / Phase	: from 180 to 240 volts for single phase from 380 to 440 volts for three phase

Applications:

- ✓ Dewatering, mud, marine, effluent, hotel, oils, spirits, swimming pools, gas oils.
- ✓ Vessels, industrial-pumping petroleum products, chemical.
- ✓ Civil construction-dewatering foundations, trenches and pits, Public utilities.
- ✓ Filter press feeding, ETP, STP, waste water treatment plant, sewage pumping.
- ✓ Mobile machinery – cooling water for marine engines and shovels.
- ✓ Pier, excavations, pits, pot-holes etc., gram panchayats, municipalitie public health departments, large housing colonies, industries like chemical, pharmaceuticals, food, cement, paper, sugar, salt, steel an other for liquid cargo from freighter, barges.

JPCP SERIES

PROGRESSIVE CAVITY
SCREW PUMPS



Operating Data:

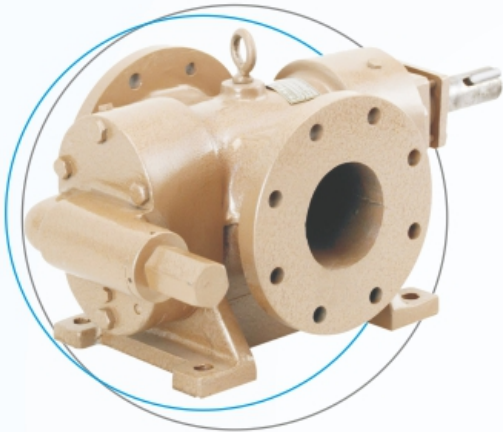
Capacity	: Up to 150 m ³ /hr
Pressure	: Up to 30 kg/cm ²
Discharge Size	: 25 mm to 150 mm
Speed	: Up to 600 rpm
Temperature	: Max. 120°C
Viscosity	: Up to 1,00,000 CST
Solid Hand. Size	: Max. 25 mm
M.O.C.	: C.I, WCB, SS-304, SS 304L, SS316, SS 316L, Alloy – 20, CD4MCU, Bronze, SS410, Tool Steel etc....
Stator	: Natural, nitrile, Neoprene, EPDM, Hypalon, Viton, Food grade & Special Quality Rubber.

Applications:

- ✓ Effluent treatment
- ✓ Pulp & paper
- ✓ Sugar & distilleries
- ✓ Chemical & petrochemicals
- ✓ Ceramics & insulator
- ✓ Starch industries
- ✓ Cosmetics & medicines
- ✓ Sweets & confectionaries
- ✓ Dairy
- ✓ Paint & varnishes
- ✓ Fruits & vegetable processing
- ✓ Mining
- ✓ Beverage industry

JGP SERIES

MULTI PURPOSE
ROTARY GEAR PUMPS WITH
DOUBLE HELICAL GEARS



Operating Data:

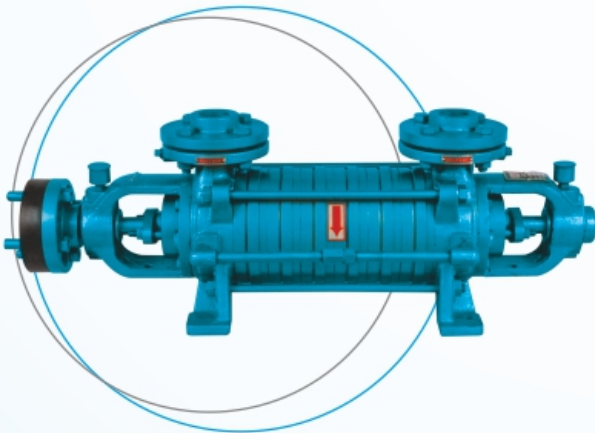
Capacity	: Up to 200 m ³ /hr
Head	: Up to 120 Mtr.
Discharge Size	: 12 mm to 200 mm
Temperature	: Up to 250°C
Speed	: Up to 1500 rpm
Pressure	: Up to 12 kg/cm ²
M.O.C.	: C.I, C.S., SS-304 / 304L, SS316 / 316L, Bronze, Alloy-20, CD4MCU Hast alloy B & C, etc...

Applications:

- ✓ To deliver a variety of light and viscous liquids such as oil, fats, coal tar, paint, molasses.
- ✓ Highly viscous or semi viscous liquids like ammonia, bleaches, coaltar, dyes, fruits juice, gasoline, glycerin, glue, grease.
- ✓ Paints, soap solution etc...

JSBFP SERIES

SELF PRIMMING MULTI STAGE
HIGH PRESSURE / HIGH HEAD PUMPS



Operating Data:

Capacity	: Up to 22 m ³ /hr
Head	: Up to 288 Mtr.
Discharge Size	: 25 mm to 50 mm
Temperature	: 105°C
Suction	: Lift up to 7 Mtr.
Speed	: Up to 1500 rpm
Pressure	: Up to 28.8 kg/cm ²
M.O.C.	: Cast Iron, Bronze, Steel etc...

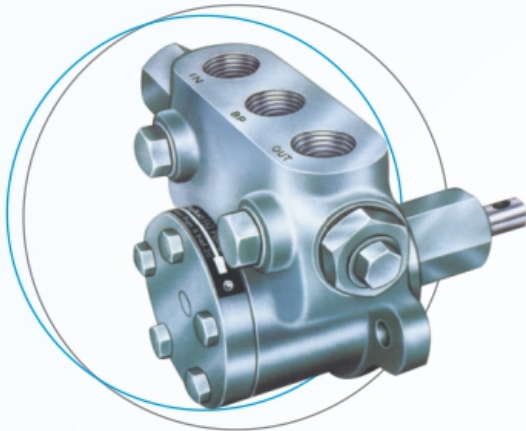
Applications:

- ✓ Transfer of liquid containing vapor air or gas.
- ✓ Boiler feed, marine, refrigeration, fuel oil.
- ✓ High pressure testing.
- ✓ Power plant.
- ✓ Water supply to multi storied building.
- ✓ Hilly area village.
- ✓ Sprinkler irrigation.
- ✓ Industrial clear water.
- ✓ Condensate water transfer.



JIG SERIES

FUEL INJECTION
INTERNAL GEAR PUMPS



Operating Data:

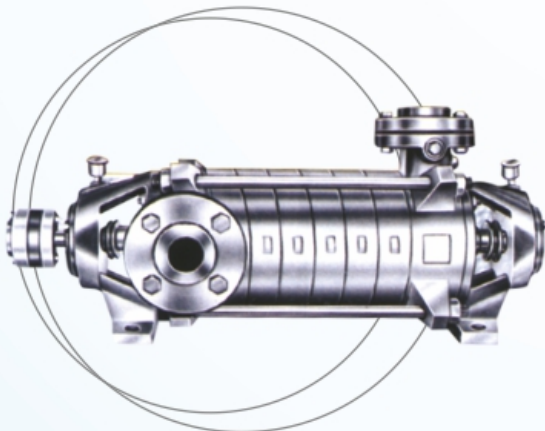
Capacity	: Up to 6000 LPH
Viscosity of liquid	: Up to 450 CST
Temperature	: Up to 200°C
Discharge Size	: 3/8" to 1"
Speed	: 1400 rpm & 2880 rpm
Pressure	: Up to 30 kg/cm ²
Direction	: Rotation clockwise [R] & Anti-Clockwise [L] looking from shaft end.
M.O.C.	: C.I, C.S.

Applications:

- ✓ Oil burners, boilers, hydraulic dry pressure pumps.
- ✓ Lubrication oil, hydraulic oil.
- ✓ PHF units, filters, Boosting diesel in locomotives.
- ✓ Petroleum industry.
- ✓ Force feed lubrication.
- ✓ Pressure regulator.

JCBFP SERIES

CENTRIFUGAL HIGH PRESSURE
MULTI STAGE PUMPS



Operating Data:

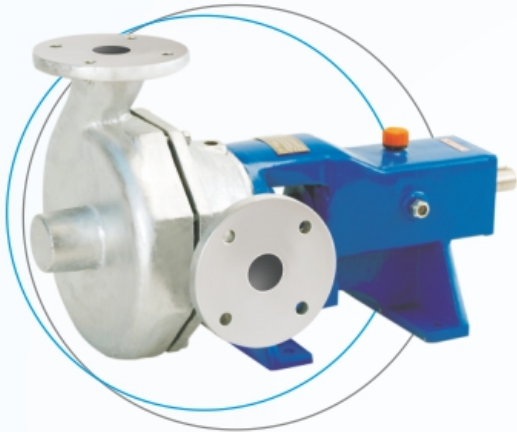
Capacity	: Up to 80 m ³ /hr
Head	: Up to 300 Mtr.
Discharge Size	: 32 mm to 80 mm
Temperature	: Up to 120°C
Speed	: Up to 3500 rpm
Pressure	: Up to 30 kg/cm ²
M.O.C.	: Cast Iron, Bronze, Steel etc...

Applications:

- ✓ Condensate water transfer.
- ✓ Sprinkler irrigation or water supply in hilly area.
- ✓ Fire-fighting system.
- ✓ Water supply to high rise buildings.
- ✓ Mine dewatering.
- ✓ Boiler feed.
- ✓ Reverse osmosis.
- ✓ Condensate extraction.
- ✓ Booster plants.
- ✓ Hot & cooling water circulating.
- ✓ High pressure for hydraulic pressure.
- ✓ Filter press washing.
- ✓ Power plant.

JFPP SERIES

HORIZONTAL SINGLE STAGE
SIDE SUCTION PUMPS



Operating Data:

Capacity	: Up to 200 m ³ /hr
Head	: Up to 100 Mtr.
Discharge Size	: 40 mm to 100 mm
Temperature	: 130°C
Speed	: Up to 3500 rpm
Pressure	: Up to 10 kg/cm ²
M.O.C.	: C.I., C.S., SS-304 / 304L, SS316 / 316L, Bronze, Alloy-20, CD4MCU, Hast alloy B & C, etc...

Note: Only for positive suction head

Applications:

- ✓ Filter press feeding.
- ✓ Effluent treatment plant.
- ✓ Dyes & intermediates.
- ✓ Steel rolling mills.
- ✓ All types of industrial application.
- ✓ Slurry transfer.
- ✓ Ceramic, ETP & STP.
- ✓ Paper and pulp, sugar & food.
- ✓ Eva-operator, scrubber application.

JSP SERIES

SELF PRIMING
CENTRIPETAL PUMPS



Operating Data:

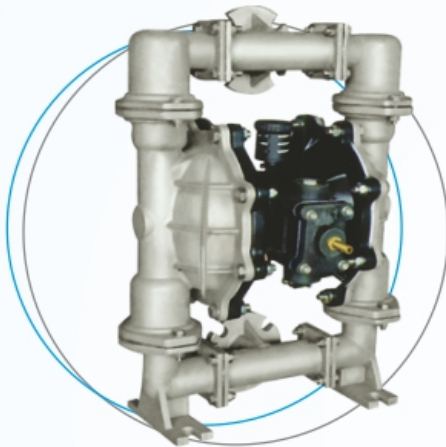
Capacity	: Up to 8 m ³ /hr
Head	: Up to 60 Mtr.
Discharge Size	: 25 mm to 40 mm
Temperature	: 110°C
Speed	: Up to 1440 rpm
M.O.C.	: C.I., C.S., SS-304, SS316, Bronze, Alloy-20, CD 4MCU etc...

Applications:

- ✓ Loading and unloading of small & big drums.
- ✓ Barrels.
- ✓ Small tankers.
- ✓ Large use rolling mills for pickling and solvent plant.
- ✓ Pharmaceutical.
- ✓ Laminates.

JDP SERIES

AIR OPERATED DOUBLE
DIAPHRAGM PUMPS



Operating Data:

Flow	: Up to 55 m ³ /hr
Head	: Up to 70 Mtr.
Pressure	: Up to 7 kg/cm ²
Temperature	: Max. 120°C
Discharge Size	: 12 mm to 80 mm
Air inlet Size	: ¼" to ½"
Air Exhaust Size	: ½" BSP
Solid Size	: Max. 12 mm
M.O.C.	: SS 316, SS 304, PP, PVDE, Aluminium etc....
Suction Lift	:
Rubber Diaphragm	: Dry : 4.5 Mtr. Wet : 7.5 Mtr.
Teflon Diaphragm	: Dry : 3 Mtr. Wet : 6 Mtr.

Applications:

- ✓ Solvents.
- ✓ Acids.
- ✓ Caustics.
- ✓ High Viscous Liquids.
- ✓ Abrasive Media.
- ✓ Hazardous & Flammable Liquids.
- ✓ Barrel Loading -Unloading.
- ✓ Filter Press & Transfer.
- ✓ Slurry Transfer.

JVSP SERIES

VERTICAL LONG SHAFT
SUMP PUMPS



Operating Data:

Capacity	: Up to 325 m ³ /hr
Head	: Up to 60 Mtr.
Discharge Size	: 25 mm to 125 mm
Temperature	: 60°C
Pump Length	: Up to 4 Mtr.
Speed	: Up to 3500 rpm
Pressure	: Up to 6 kg/cm ²
M.O.C.	: C.I., C.S., SS-304 / 304L, SS316 / 316L, Bronze, Alloy-20, CD4MCU, Hast alloy B & C, etc...

Applications:

- ✓ The "JEE" sump pump is suitable for handling thin, clean or slightly contaminated liquids, such as water, cooling water, effluent, cleaning products, chemicals and hydrocarbons.
- ✓ Sulphuric Acid application, acid transfer, aquariums, chemical processing, Chlor-alkali, General Processing Industry, Light slurries, organic Chemicals, Polymers, Petrochemical Processing, Slurries, Solvents, Waste Processing.

JLSP SERIES

HIGH SPEED LIGHT DUTY
SEWAGE AND EFFLUENT
SUBMERSIBLE PUMPS



Operating Data:

Capacity	: Up to 132 m ³ /hr
Head	: Up to 40 Mtr.
Temperature	: 45°C
HP	: 0.75 to 10 (1 to 3 HP in single phase)
RPM	: Up to 2880
Delivery Size	: 32 mm to 100 mm
Solid Size	: 50 mm
Connection	: DOL
Voltage & Phase	: 415 V , 3 Phase / 215 V, 1 Phase Up to 3 HP
Insulation/Protection	: 'F' Class / IP 68
Motor	: Two pole continues duty dry type squirrel cage Induction Motor
Cable	: PVC Insulated Double heated Copper Conductor Flexible Cable
Mechanical Seal	: Bi-Directional Twin Mechanical Seal with Various face combination looking to the application.
M.O.C.	: C.I., C.S.

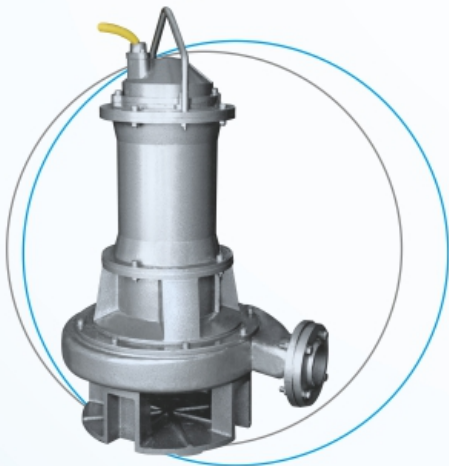
Optional Parts : Impeller, Casing, Wear Plate with Various M.O.C. Bronze, CF8, CF8M, CD4MCU

Applications:

- ✓ Muddy water transfer.
- ✓ Swimming pool.
- ✓ Dewatering of ponds, basement of huge building.
- ✓ Power plant.
- ✓ Effluent transfer, ETP,STP, waste water treatment plant.
- ✓ Used in hotel, hospitals, railways, dairy, chemical ind, sugar, steel, cement, food beverages etc...

JHSP SERIES

LOW SPEED HEAVY DUTY
SEWAGE AND EFFLUENT
SUBMERSIBLE PUMPS



Operating Data:

Capacity	: Up to 500 m ³ /hr
Head	: Up to 45 Mtr.
Temperature	: 45°C
HP	: 2 to 50
RPM	: Up to 1500
Delivery Size	: 65 mm to 200 mm
Solid Size	: 100 mm
Connection	: DOL, Star Delta, ATS
Voltage & Phase	: 415 V , 3 Phase
Motor	: Four / Six pole continues duty dry type squirrel cage Induction Motor
Cable	: PVC Insulated Double heated Copper Conductor Flexible Cable
Insulation/Protection	: 'F' Class / IP 68
Mechanical Seal	: Bi-Directional Twin Mechanical Seal with Various face combination looking to the application.
M.O.C.	: C.I., C.S.

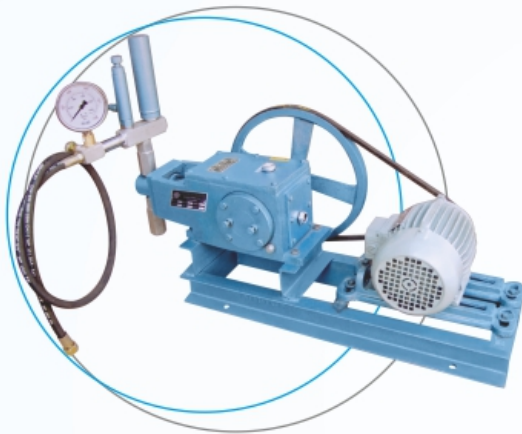
Optional Parts : Impeller, Casing, Wear Plate with Various M.O.C. Bronze, CF8, CF8M, CD4MCU

Applications:

- ✓ Muddy water transfer.
- ✓ Swimming pool.
- ✓ Dewatering of ponds, basement of huge building.
- ✓ Power plant.
- ✓ Effluent transfer, ETP,STP, Waste water treatment plant.
- ✓ Used in hotel, hospitals, railways, dairy, chemical ind, sugar, steel, cement, food, beverages etc...

JTPM SERIES

MOTORIZED
HYDRAULIC TEST PUMPS



Operating Data:

Capacity	: Up to 150 LPH
Discharge Size	: 1/2" BSP
Plunger Size	: 12 mm to 24 mm
Pressure	: Up to 700 kg/cm ²
KW / HP	: Up to 3.7 / 5

Applications:

- ✓ Boilers, pressure vessels.
- ✓ CI mains, casting.
- ✓ Gas cylinder, pipe lines, etc....

Standard Accessories:

- ✓ Brass foot valve.
- ✓ G.M. / S.S. check valve.
- ✓ Brass pressure release cock.
- ✓ Pressure house with attachment.
- ✓ Pressure gauge.
- ✓ M.S. fabricated pail. (Optional)

JTP SERIES

HAND OPERATED
HYDRAULIC TEST PUMPS



Operating Data:

Pressure	: 700 kg/cm ² max.
Discharge Size	: 1/2" BSP
Pail Size	: 22 ltr
Plunger Size	: 12 mm to 24 mm
Out put CC/Stroke	: 5.65 to 15.70

Applications:

- ✓ Boilers, pressure vessels.
- ✓ C.I. Mains, casting, gas cylinders, pipe lines.
- ✓ Tubes, pump and other machinery parts subject to hydraulic pressure.

M.O.C.:

- ✓ Having M.S. body, C.I. handle, fulcrum with standard Fitting
- ✓ M.S. Fabricated Pail

Standard Accessories:

MS/SS check valve
pressure hose with attachments
brass pressure release cock
pressure gauge

JOSP SERIES

SUBMERSIBLE MONOSET PUMPS



Operating Data:

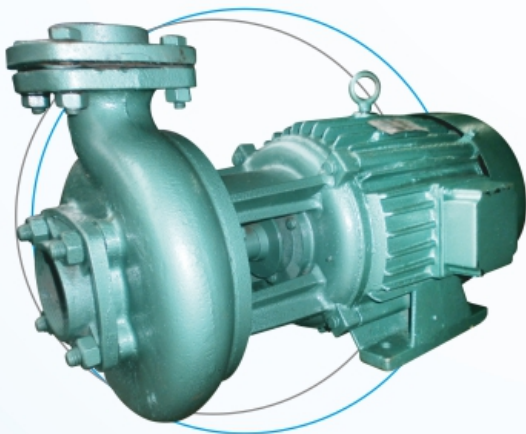
Head	: Up to 55 Mtr.
Capacity	: Up to 450 m ³ /hr
Discharge Size	: 25 mm to 150 mm
Power Rating	: 1.0 HP to 50 HP – Three phase 0.5 HP to 2.0 HP – Single phase
Voltage Range	: 380 V to 415 V – Three phase 200 V to 240 V – Single Phase
Speed	: Up to 2880 rpm
M.O.C.	: C.I., CS

Applications:

- ✓ Gardening and irrigation.
- ✓ Agriculture, farms, civil application.
- ✓ Industries for clear water handling, cooling tower.
- ✓ Water supply for domestic use in apartments, building commercial complexes, hotels, swimming pools, automobile service station, hospitals, Clubs, hostels.
- ✓ Power plant, fire fighting.

JMBP SERIES

HORIZONTAL CENTRIFUGAL MONOBLOCK PUMPS



Operating Data:

Head	: Up to 60 Mtr.
Capacity	: Up to 120 m ³ /hr
Discharge Size	: 25 mm to 100 mm
Power Rating	: 1.0 HP to 20 HP – Three phase 0.5 HP to 2.0 HP – Single phase
Voltage Range	: 380 V to 415 V – Three phase 200 V to 240 V – Single Phase
Speed	: Up to 2880 rpm
M.O.C.	: C.I., CS, SS-304, SS 316, Bronze, etc...

Applications:

- ✓ Gardening and irrigation.
- ✓ Agriculture, farms, civil application.
- ✓ Industries for clear water handling, cooling tower.
- ✓ Water supply for domestic use in apartments, building commercial complexes, hotels, swimming pools, automobile service station, hospitals, Clubs, hostels.
- ✓ Power plant, fire fighting.

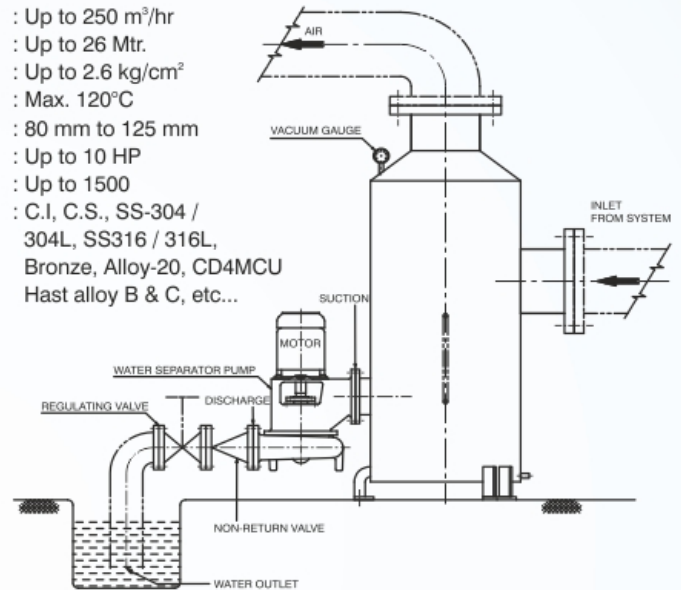
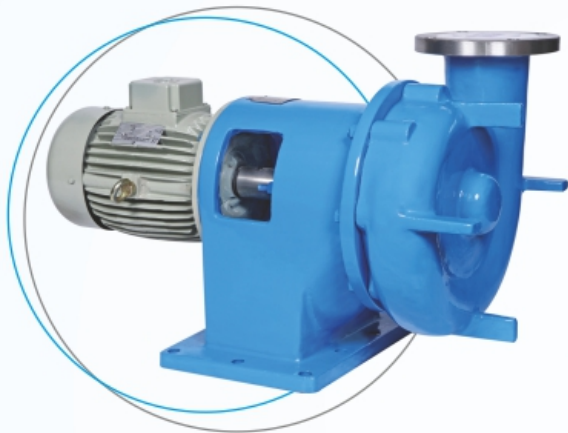


JWSP SERIES

WATER SEPARATOR PUMPS
FOR PAPER INDUSTRIES

Operating Data:

Capacity	: Up to 250 m ³ /hr
Head	: Up to 26 Mtr.
Pressure	: Up to 2.6 kg/cm ²
Temperature	: Max. 120°C
Discharge Size	: 80 mm to 125 mm
HP	: Up to 10 HP
RPM	: Up to 1500
M.O.C.	: C.I, C.S., SS-304 / 304L, SS316 / 316L, Bronze, Alloy-20, CD4MCU Hast alloy B & C, etc...



PRIMING CHAMBER

The solution for suction left application.

"JEE Priming Chamber" can take suction left of 3 meter with volume of 20-60 liter.

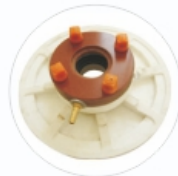
Priming Chamber are available for all M.O.C. as per customer requirement.





QUALITY - SKILL - SPIRIT

PUMPS SPARES





PUMP SELECTION DATA

APPLICATION

- Thermic Fluid Process ETP Filtration
 Transfer Loading - Unloading STP Other

DUTY

- Contentious Intermittent Rare

FLUID DATA

Name of the Liquid _____ Any Other Chemicals Present _____
 Nature of Liquid _____ Presence of any Impurity / Foreign Yes No
 If yes then its Nature Abrasive Non Abrasive Soft
 Specific Gravity _____ Viscosity _____
 Operating Temperature _____ pH Value _____ Concentration (%) _____

OPERATING DATA

Discharge (Capacity) _____ Suction Head _____
 Delivery Head _____ Total Differential Head (Including Pipeline Losses) _____

MATERIAL OF CONSTRUCTION

Wetted Parts _____ Non Wetted Parts _____

SHAFT SEALING

- Giand Packing Mechanical Seal

PRIME MOVER

Motor / Engine _____ KW / HP _____ RPM _____
 Phase _____ Volt _____ Hz _____

OTHER DETAILS

Suc. x Del. Size _____ Coupling Type _____ Flanges Standard _____

Note : Any other information you feel necessary please contact us.

Note : As improvements are made from time to time specifications in this brochure are subject to revise without notice.